

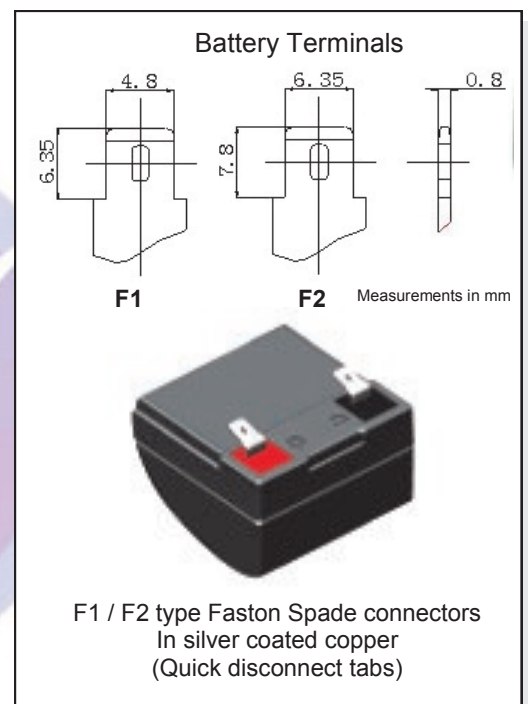
# VRLA - AGM Sealed Lead Acid Batteries.



Our **KINETIX** brand VRLA batteries are renowned for quality, durability and performance. Ideal for a range of Stand-By applications including for Security Systems, Emergency lighting, Uninterruptable Power Supplies and more!

## Outstanding Features:

- VRLA Sealed Lead Acid - Maintenance free
- Ideal for Security System / Emergency lighting back-up applications
- AGM Non spillable construction - prevents electrolyte leakage
- Oxygen recombination technology for maintenance free operation
- ABS Containers and covers
- Safety valve to prevent possibility of explosion
- Exceptional deep discharge recovery & performance
- Low self discharge characteristics
- Long service life, typically 3 –5 year design life



Product Ref	Nominal Voltage (V)	20 Hr Rate Capacity (aH)	Dimensions (mm)			Total Height	Weight (Kg)	Terminal connector
			Length	Width	Height			
B1212	12VDC	1.2	97.5	43.0	53.0	58.0	0.55	F1 (0.187)
B1222	12VDC	2.2	177.0	35.0	62.0	67.0	0.95	F1 (0.187)
B1232	12VDC	3.2	135.0	67.0	60.0	66.0	1.2	F1 (0.187)
B1270	12VDC	7.0	151.0	65.0	94.0	100.0	2.2	F1 (0.187)
B12120	12VDC	12.0	151.0	98.0	94.0	100.0	3.7	F2 (0.187)
B12180	12VDC	18.0	181.0	76.0	167.0	173.0	5.3	L or M Type



[www.kinetic-security.co.uk](http://www.kinetic-security.co.uk)

Kinetic Electronics Ltd. Unit 7 Stakehill Industrial Estate, Middleton, Manchester M242RW  
 TEL: 0161 654 9595 FAX: 0161 654 9596 EMAIL: [sales@kinetic-security.co.uk](mailto:sales@kinetic-security.co.uk)